

THANK YOU FOR CHOOSING ROBOTIQ

This step-by-step guide will allow you to **install** and **use** your **Hand-E Gripper** on e-Series Universal Robots.



1. WHAT IS SUPPLIED?

Standard upon delivery of a Universal Robots kit:

- Hand-E(HND-GRP-001)
- Gripper Coupling(GRP-ES-CPL-062)
- Fingertip Starting Kit(HND-TIP-START-KIT)
- Connection Protector Kit(GRP-ES-CPL-PRO)
- USB Stick
- Necessary Hardware



2. TOOLS YOU NEED



3. GET THE LATEST

Visit: support.robotiq.com

- Get the up-to-date instruction manual (PDF or web browser).
- Get the corresponding **Robotiq_Grippers-X.X.X.urcap**.
- Download the .urcap file on a USB stick.

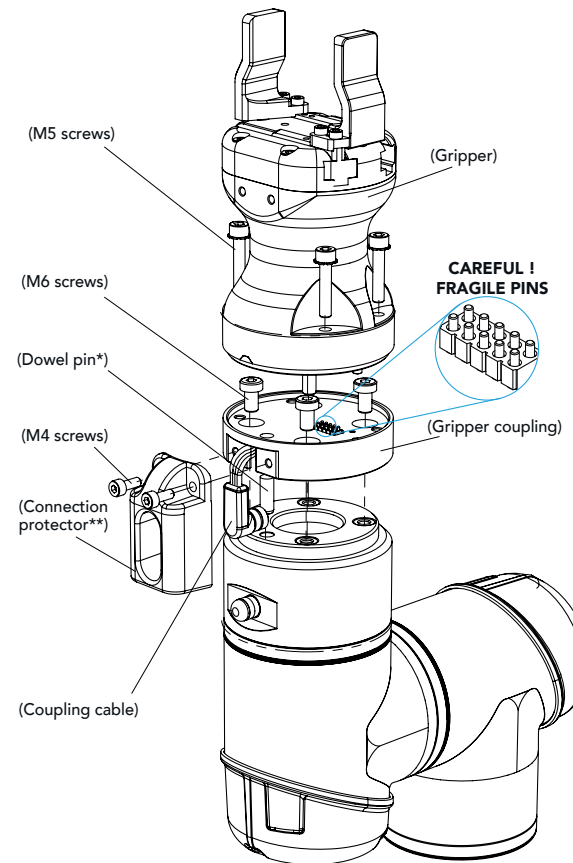


PLEASE READ THE INSTRUCTION MANUAL BEFORE OPERATING THE GRIPPER.



4. MOUNTING

- Mount the coupling (GRP-ES-CPL-062) on your robot arm. Align with the provided dowel pin*.
- Fix using the provided M6 screws (use of threadlocker is recommended).
- Mount the Gripper (HND-GRP-001) on the coupling. Align with the dowel pin*.
- Fix using the provided M5 screws.
- Plug the coupling's cable in the robot's wrist connector.
- Cover the connection using the protector and the provided M4 screws.



* The dowel pin is meant to have a tight fit on the robot side and a slip fit on the effector side of the assembly.

** Select the connection protector corresponding to your robot model in the GRP-ES-CPL-PRO kit.



5. SOFTWARE INSTALLATION

- Have a USB stick that contains the **.urcap** file (step 3).
- Insert the USB stick in the robot's teach pendant.
- Tap the triple bar icon in the upper right corner and select the System menu on the left.
- Tap the URCaps submenu and then tap the + sign at the bottom of the screen.
- Open **Robotiq_Grippers-X.X.X.urcap**.
- Tap the **Restart** button to activate the URCap.



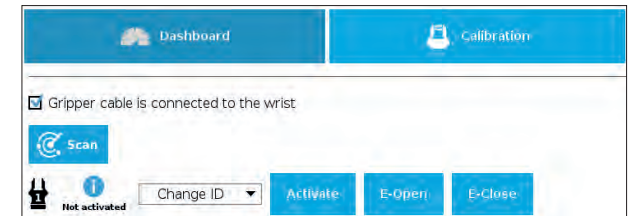
6. ACTIVATE THE GRIPPER

Gripper Activate Node

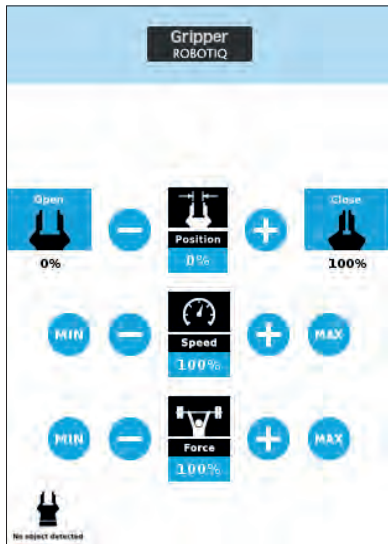
- Tap the **Installation** button at the top of the screen.
- Tap the **URCaps** button in the navigation pane on the left.
- Select **Gripper** in the dropdown list.
- Go to the **Dashboard** tab.
- Check the **Gripper is connected to the wrist** checkbox.
- Tap the **Scan** button to locate any connected Gripper.



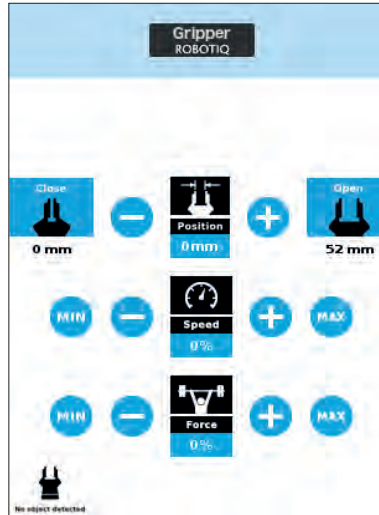
- Once the Gripper is located, tap the **Activate** button.



- Tap the **UR+** button to expand the Gripper Toolbar.
- The Gripper toolbar allows you to jog and test the Gripper. For more information, refer to the instruction manual.



- Tap the **UR+** button to expand the Gripper Toolbar. The Gripper position measurements can either display in millimeters or inches, depending on the PolyScope settings used.



- Depending on the PolyScope settings used, the Gripper position measurements can either display in metric or imperial units.



8. USE NODES TO PROGRAM WITH THE GRIPPER

Gripper Node

- Tap the **Program** button at the top of the screen.
- Tap the **URCaps** button in the navigation pane on the left.
- Select **Gripper** in the dropdown list.
- Go to the **Command** tab to edit your Gripper's action.

Grip Check Node

- Tap the **Program** button at the top of the screen.
- Tap the **URCaps** button in the navigation pane on the left.
- Select **Grip Check** in the dropdown list.
- Go to the **Command** tab to edit the node.
- Select a condition (If object is **detected** vs. If object is **not detected**).
- If applicable, enter the object dimension for validation.

New product has a 1-year warranty from the above date.
Refer to your product instruction manual for details.

support.robotiq.com

support@robotiq.com
T: 1.418.380.2788 option 3

October 2018
V1.1



HAND-E

QUICK START GUIDE

For installation on
e-Series
Universal Robots



7. HOW TO CALIBRATE THE GRIPPER

- Go to the **Installation** tab, tap the URCaps menu on the left and select **Gripper**.
- Tap the **Calibration** tab.
- Tap the **Calibrate** button next to the Gripper icon to start the Calibration wizard.



- The wizard prompts the user to fully **close** the Gripper, regardless of the type of fingers/fingertips used.
- Measure the distance between the fingers/fingertips and enter the measurement in the appropriate box.
- Tap the **Continue** button.
- The user is then asked to fully **open** the Gripper.
- Measure the distance between the fingers/fingertips and enter the measurement in the appropriate box.
- Tap the **Continue** button to complete the Calibration wizard.